



# Low Flow Indicator/Regulator with Brass or Nylon Ends

Smartflow Low Flow Indicator is an in-line device using a high-visibility impeller to show water movement inside a cooling line with flow between 0.3 and 4 Liters per Minute.

Low Flow Indicators are ideal for use in critical injection mold cooling circuits using bubblers or baffles where flow is restricted and effective cooling is essential.

The polysulfone viewing window is compatible with common cooling liquids. Wetted parts are made from corrosion-resistant materials in a proven design platform.

Optional temperature and pressure gauges can be added as needed for increased functionality and suitability to process requirements.

Delta-Q Flow Regulator may also be added when additional flow control is desirable. See page 2.



## Model LFI3 - A - 40

### Brass End Caps

1/4" NPT	LF12
1/4" BSPP	LF12B
3/8" NPT	LF13
3/8" BSPP	LF13B
1/2" NPT	LF14
1/2" BSPP	LF14B

### Nylon End Caps

1/4" NPT	LFIP2
1/4" BSPP	LFIP2B
3/8" NPT	LFIP3
3/8" BSPP	LFIP3B
1/2" NPT	LFIP4
1/2" BSPP	LFIP4B

### Accessories

A	Indicator only (no accessories)
B	Thermometer
C1	Thermometer and 30psi Press. Ga.
C2	Thermometer and 60psi Press. Ga.
C3	Thermometer and 100psi Press. Ga.
CL	Thermometer and Liquid-Filled Press. Ga. (100psi)
D1	Thermometer, 30psi Press. Ga., Quick Change Socket and Plug*
D2	Thermometer, 60psi Press. Ga., Quick Change Socket and Plug*
D3	Thermometer, 100psi Press. Ga., Quick Change Socket and Plug*
DL	Thermometer, Liquid-Filled Press. Ga. (100psi), Quick Change Socket and Plug*
E	Thermometer, Quick Change Socket and Plug*
F1	30psi Press. Ga.
F2	60psi Press. Ga.
F3	100psi Press. Ga.
FL	Liquid-Filled Press. Ga. (100psi)

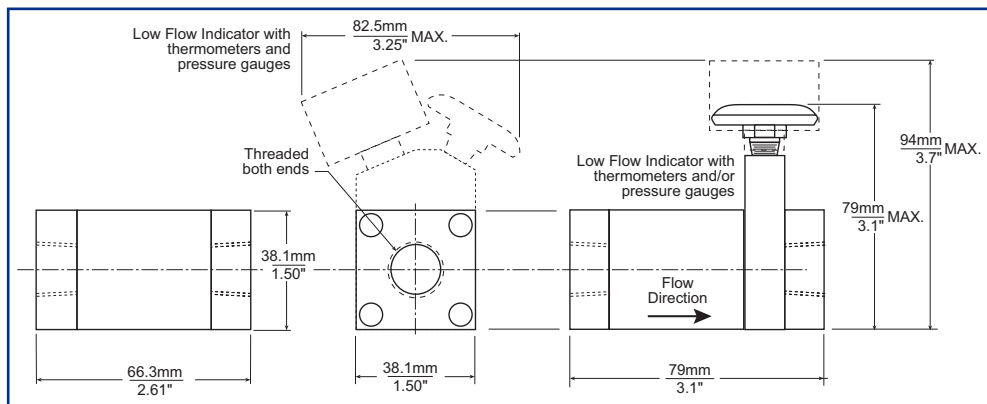
\* NPT only

### Wetted Parts and Materials

End Caps	Brass or Glass-Filled Nylon
Body	Polysulfone
Rotor	Nylon
O-Rings	EPDM
Cap Screws	Stainless Steel
Optional Gauge Block	Brass
Optional Quick Change Socket and Plug (NPT only)	Brass

### Specifications

Flow Range	0.3 to 4LPM (0.08 to 1GPM)
Operating Temperature max.	99°C (210°F)
Operating Pressure max.	6.9bar (100psi)
Optional Thermometer	-20° to 120°C (0 to 250°F) ±2% accuracy (full scale)
Optional Pressure Gauge	0 to 700Kpa (0 to 100psi) ±3% accuracy (full scale)



4500 E 142nd Street, Grandview, MO 64030 USA  
Tel: 816-878-6675  
www.smartflow-usa.com

*Design and specifications are subject to change without notice.*



# Precision Flow Regulator with Low Flow Indicator

Delta-Q Flow Precision Flow Regulator with Low Flow Indicator is the ultimate in low flow process control cooling indication.

The combination regulator with indicator allows for total flow shut off through wide open processing position for 0.3 to 4LPM indication. Motion is observed in the high-visibility rotor to show the presence of flowing cooling media. The unit is designed to be used with water or glycol mix.

Low Flow Indicators are ideal for use in critical injection mold cooling circuits using bubblers or baffles where flow is restricted and effective cooling is essential.

Accessories may be added to the indicator/regulator for increased functionality in a single installed unit.



Follow the QR Code to watch flow balancing and optimization animation

## Model LFI3 - A - 40 - Q

### Brass End Caps

1/4"NPT	LFI2
1/4"BSPP	LFI2B
3/8"NPT	LFI3
3/8"BSPP	LFI3B
1/2"NPT	LFI4
1/2"BSPP	LFI4B

### Nylon End Caps

1/4"NPT	LFIP2
1/4"BSPP	LFIP2B
3/8"NPT	LFIP3
3/8"BSPP	LFIP3B
1/2"NPT	LFIP4
1/2"BSPP	LFIP4B

### Accessories

A	Indicator only (no accessories)
B	Thermometer
C1	Thermometer and 30psi Press. Ga.
C2	Thermometer and 60psi Press. Ga.
C3	Thermometer and 100psi Press. Ga.
CL	Thermometer and Liquid-Filled Press. Ga. (100psi)
D1	Thermometer, 30psi Press. Ga., Quick Change Socket and Plug*
D2	Thermometer, 60psi Press. Ga., Quick Change Socket and Plug*
D3	Thermometer, 100psi Press. Ga., Quick Change Socket and Plug*
DL	Thermometer, Liquid-Filled Press. Ga. (100psi), Quick Change Socket and Plug*
E	Thermometer, Quick Change Socket and Plug*
F1	30psi Press. Ga.
F2	60psi Press. Ga.
F3	100psi Press. Ga.
FL	Liquid-Filled Press. Ga. (100psi)

\* NPT only

### Wetted Parts and Materials

End Caps	Brass or Glass-Filled Nylon
Flow Body	Polysulfone
Regulator Body	Glass-Filled Nylon
Rotor	Glass-Filled Nylon
Stem and Valve Seat	Stainless Steel
O-Rings	EPDM
Optional Gauge Block	Brass
Optional Quick Change Socket and Plug (NPT only)	Brass

### Specifications

Flow Range	0.3 to 4LPM (0.08 to 1GPM)
Operating Temperature max.	99°C (210°F)
Operating Pressure max.	6.9bar (100psi)
Dial Thermometer	-20° to 120°C (0 to 250°F)
Pressure Gauge	±2% accuracy (full scale) 0 to 700Kpa (0 to 100psi)
	±3% accuracy (full scale)

